



Dover

EX-14100~EX-14111

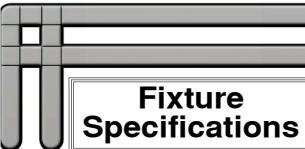
Our Dover exterior lanterns are made for post top mounting. We build them to spec from cast and extruded aluminum materials. They feature a late Victorian style somewhere between Eastlake and Aesthetic types. And they are entirely functional. Their looks would have been well understood in an era of gas fixtures. Working vents at top and an enfoldng framework of spear-tips around the cylinder that is supported by extremely decorative curving buttress arms will move these lights into the historic era of pre-electric USA. Totally classic lights with LED options...very powerful.

~Dover Series~

Bollard: EX-14100~EX-14111

Mounting: Lightsmith fixtures mount to standard 4" octagon electrical boxes unless otherwise specified. All hardware and canopies supplied.

Listing and Warranty: Lightsmith fixtures are Underwriters Laboratories listed and carry a standard three year warranty against defects in materials and labor beginning at date of shipment.



EX-141
 FIXTURE NUMBER
 (Example: EX-14100)

~ **DIFFUSER**
 (Example: BGA-ECH)

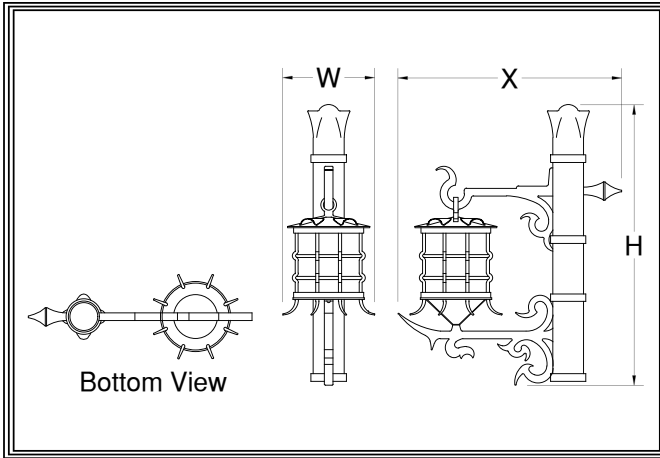
~ **METAL FINISH**
 (Example: SBP)

~ **VOLTAGE**
 (120V)
 (277V)
 (347V)

~ **NR**
 STEM=S+Lgth
 (Example:S-96")
 CHAIN=C+Lgth
 (Example:C-96")
 NR=Not required

~ **OPTIONS**
 (Example:SPR)

~ **MODIFICATIONS**
 (Example:Custom Paint*)
 Use "Notes" Box At Top To Explain Modifications



EX-141 _____
 Fixture Number Job Type

 Job Name

 Notes~Modifications

	Fixture Number	Dimensions	Lamping	Weight	Options
LED	<input type="checkbox"/> EX-14104	14w x 42h x 33x	1-38wCLED (5734 lumens)	48 lbs	WLM
	<input type="checkbox"/> EX-14110	17w x 51h x 40x	1-52wCLED (9375 lumens)	62 lbs	WLM
	<input type="checkbox"/> EX-14111	20w x 61h x 48x	1-83wCLED (12597 lumens)	73 lbs	WLM REM,SPR**
INCANDESCENT	<input type="checkbox"/> EX-14100	14w x 42h x 33x	1-100wP38 (1200 lumens)	45 lbs	WLM
	<input type="checkbox"/> EX-14101	17w x 51h x 40x	1-150wP38 (2175 lumens)	59 lbs	WLM
	<input type="checkbox"/> EX-14102	20w x 61h x 48x	1-250wP38 (3600 lumens)	70 lbs	WLM
FLUORESCENT	<input type="checkbox"/>				

~Single Circuit Standard Wiring~

**All LED Fixtures

DIFFUSER	<input type="checkbox"/> BGA: Beige Alabaster Acrylic	<input type="checkbox"/> GRA: Green Edge Acrylic	<input type="checkbox"/> ECH: Etched*
	<input type="checkbox"/> NHA: Natural Horn Acrylic	<input type="checkbox"/> EGA: Earth Green Acrylic	*Etched option creates a matte, non-glossy finish on one side of the diffuser. (Example:WOA-ECH)
	<input type="checkbox"/> WHA: White Alabaster Acrylic	<input type="checkbox"/> DGA: Deep Gold Acrylic	
	<input type="checkbox"/> HNA: Honey Alabaster Acrylic	<input type="checkbox"/> WOG: White Opal Glass	
	<input type="checkbox"/> WOA: White Opal Acrylic	<input type="checkbox"/> CLG: Clear Glass	

	SOLID BRASS FINISHES	PAINTED METAL FINISHES	ALUMINUM FINISHES	STAINLESS STEEL FINISHES
METAL FINISH	<input type="checkbox"/> NA	<input type="checkbox"/> DGP: Dark Green	<input type="checkbox"/> NA	<input type="checkbox"/> NA
	<input type="checkbox"/>	<input type="checkbox"/> VGP: Verde Green	<input type="checkbox"/>	<input type="checkbox"/>
	<input type="checkbox"/>	<input type="checkbox"/> CGP: Charcoal Gray	<input type="checkbox"/>	<input type="checkbox"/>
	<input type="checkbox"/>	<input type="checkbox"/> MBP: Medium Bronze	<input type="checkbox"/>	<input type="checkbox"/>
	<input type="checkbox"/>	<input type="checkbox"/> SBP: Satin Black	<input type="checkbox"/>	<input type="checkbox"/>
	<input type="checkbox"/>	<input type="checkbox"/> DBP: Dark Bronze	<input type="checkbox"/>	<input type="checkbox"/>
	<input type="checkbox"/>	<input type="checkbox"/> LBP: Light Bronze	<input type="checkbox"/>	<input type="checkbox"/>
	<input type="checkbox"/>	<input type="checkbox"/> MGP: Medium Gold	<input type="checkbox"/>	<input type="checkbox"/>
	<input type="checkbox"/>	<input type="checkbox"/> SCP: Sponged Copper	<input type="checkbox"/>	<input type="checkbox"/>
	<input type="checkbox"/>	<input type="checkbox"/> CSP: Custom Paint*	<input type="checkbox"/>	<input type="checkbox"/>

OPTIONS	<input type="checkbox"/>	<input type="checkbox"/> REM: Remote Emer.Ballast*	<input type="checkbox"/> SPR: Surge protector
	<input type="checkbox"/>	<input type="checkbox"/> WLM: Wet Location Mtg (std)	
	<input type="checkbox"/>		
	<input type="checkbox"/>		