



Dartford

CL-15200~CL-15208

Our Dartford fixtures are made for classical spaces. These lights are formed and mitered to blend seamlessly into traditional atmospheres and lend that finished look to major areas. We make Dartfords for colleges, government buildings and even hospitals. They are built from extra heavy aluminum or brass metals. They might not withstand a baseball bat test, but they would probably stand their own from being clobbered by a tennis racket. Those stately angles are all bent in high pressure machines then mig welded for ultimate strength. Timeless and durable.

~Dartford Series~

Chandelier: CH-15200~CH-15211

Pendant: PD-15200~PD-15231

Ceiling Mt: CL-15200~CL-15208

Wall Mt: SC-15200~SC-15211

Bollard: BL-15200~BL-15211

Mounting: Lightsmith fixtures mount to standard 4" octagon electrical boxes unless otherwise specified. All hardware and canopies supplied.

Listing and Warranty: Lightsmith fixtures are Underwriters Laboratories listed and carry a standard three year warranty against defects in materials and labor beginning at date of shipment.



Fixture Specifications

CL-152
FIXTURE NUMBER
(Example: CL-15202)

~
DIFFUSER
(Example: WOA)

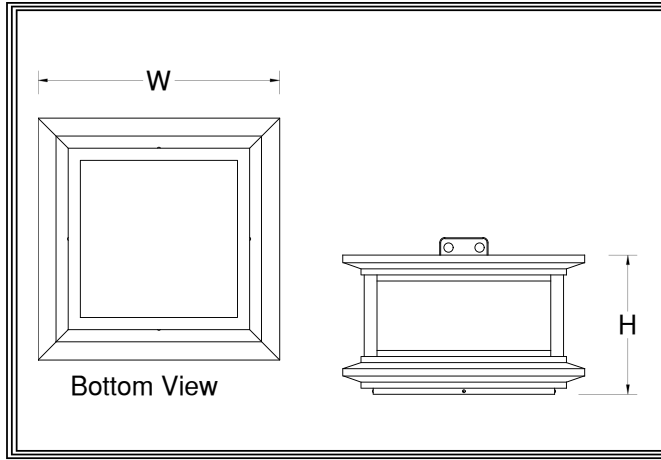
~
METAL FINISH
(Example: ABB)

~
VOLTAGE
 (120V)
 (277V)
 (347V)

~
NR
STEM=S+Lgth
(Example: S-96")
CHAIN=C+Lgth
(Example: C-96")
NR=Not required

~
OPTIONS
(Example: DIM, REM)

~
MODIFICATIONS
(Example: Custom Paint)
Use "Notes" Box At Top To Explain Modifications



CL-152
Fixture Number Job Type

Job Name

Notes~Modifications

	Fixture Number	Dimensions	Lamping	Weight	Options
LED	<input type="checkbox"/> CL-15206	24w x 10h	4-13wLLED (5640 lm)	18 lbs	REM,IEM,SPR**
	<input type="checkbox"/> CL-15207	30w x 11h	6-13wLLED (8460 lm)	24 lbs	CRA
	<input type="checkbox"/> CL-15208	36w x 12h	8-13wLLED (11280 lm)	36 lbs	CRA
INCANDESCENT	<input type="checkbox"/> CL-15200	24w x 10h	6-60wA19 (4800 lm)	16 lbs	CRA
	<input type="checkbox"/> CL-15201	30w x 11h	8-60wA19 (6400 lm)	22 lbs	CRA
	<input type="checkbox"/> CL-15202	36w x 12h	10-60wA19(8000 lm)	34 lbs	CRA
FLUORESCENT	<input type="checkbox"/>				

~Single Circuit Standard Wiring~

**All LED Fixtures

DIFFUSER	<input type="checkbox"/> BGA: Beige Alabaster Acrylic	<input type="checkbox"/> GRA: Green Edge Acrylic	<input type="checkbox"/> ECH: Etched*
	<input type="checkbox"/> NHA: Natural Horn Acrylic	<input type="checkbox"/> EGA: Earth Green Acrylic	*Etched option creates a matte, non-glossy finish on one side of the diffuser. (Example: WOA-ECH)
	<input type="checkbox"/> WHA: White Alabaster Acrylic	<input type="checkbox"/> DGA: Deep Gold Acrylic	
	<input type="checkbox"/> HNA: Honey Alabaster Acrylic	<input type="checkbox"/> WOG: White Opal Glass	
	<input type="checkbox"/> WOA: White Opal Acrylic	<input type="checkbox"/> CLG: Clear Glass	

	SOLID BRASS FINISHES	PAINTED METAL FINISHES	ALUMINUM FINISHES	STAINLESS STEEL FINISHES
METAL FINISH	<input type="checkbox"/> ABB: Antique Brass	<input type="checkbox"/> DGP: Dark Green	<input type="checkbox"/> SAA: Satin Aluminum	<input type="checkbox"/> SSS: Satin
	<input type="checkbox"/> SBB: Satin Brass	<input type="checkbox"/> VGP: Verde Green	<input type="checkbox"/> SNA: Satin Nickel	<input type="checkbox"/> DSS: Distressed
	<input type="checkbox"/> PBB: Polished Brass	<input type="checkbox"/> CGP: Charcoal Gray	<input type="checkbox"/> PAA: Polished Aluminum	<input type="checkbox"/> PSS: Polished
	<input type="checkbox"/> ANB: Antique Nickel	<input type="checkbox"/> MBP: Medium Bronze	<input type="checkbox"/> BBA: Burnished Bronze	<input type="checkbox"/> HSS: Hammered
	<input type="checkbox"/> SNB: Satin Nickel	<input type="checkbox"/> SBP: Satin Black	<input type="checkbox"/> RNA: Red Naval Bronze	
	<input type="checkbox"/> PNB: Polished Nickel	<input type="checkbox"/> DBP: Dark Bronze	<input type="checkbox"/> SGA: Satin Gold	
	<input type="checkbox"/> AZB: Antique Bronze	<input type="checkbox"/> LBP: Light Bronze	<input type="checkbox"/> SBA: Satin Bronze	
	<input type="checkbox"/> SZB: Satin Bronze	<input type="checkbox"/> MGP: Medium Gold	<input type="checkbox"/> ORA: Oil Rubbed Bronze	
	<input type="checkbox"/> PZB: Polished Bronze	<input type="checkbox"/> SCP: Sponged Copper	<input type="checkbox"/> SCA: Satin Copper	
	<input type="checkbox"/> CSB: Custom Brass*	<input type="checkbox"/> CSP: Custom Paint*	<input type="checkbox"/> CSA: Custom Aluminum*	<input type="checkbox"/> CSS: Custom SS*

OPTIONS	<input type="checkbox"/> IEM: Integral Emer. Driver	<input type="checkbox"/> DIM: Dimming Driver (std)	<input type="checkbox"/> SPR: Surge Protector
	<input type="checkbox"/> REM: Remote Emer. Driver	<input type="checkbox"/> CRA: Clear Ribbed Acrylic Overlay	
	<input type="checkbox"/>		
	<input type="checkbox"/>		