



Nokia

CH-15700~CH-15731

Our Nokia fixtures are basically a Greek Orthodox Basilica type of chandelier. They are meant to be surrounded by classic art work and finely detailed wood cabinetry. We make Nokia in a variety of sizes and finishes. You can order a massive five tier version with 93 arms...in solid polished brass if so inclined. But we make smaller ones that are just right for any room. These lights feature open framing filled with ornamental cutouts that support long candles projecting from the perpendicular. Clover and fleur-de-lis designs are predominant. These are sturdy fixtures meant to last a lifetime.

~Nokia Series~

Chandelier: CH-15700~CH-15731

Pendant: PD-15700~PD-15731

Ceiling Mt: CL-15700~CL-15708

Wall Mt: SC-15700~SC-15711

Bollard: BL-15700~BL-15711

Mounting: Lightsmith fixtures mount to standard 4" octagon electrical boxes unless otherwise specified. All hardware and canopies supplied.

Listing and Warranty: Lightsmith fixtures are Underwriters Laboratories listed and carry a standard three year warranty against defects in materials and labor beginning at date of shipment.



Fixture Specifications

CH-157
FIXTURE NUMBER
(Example: CH-15700)

NR
DIFFUSER
(Example:)

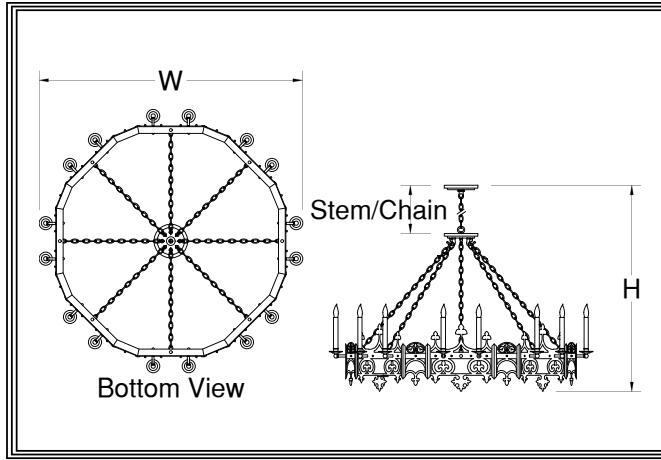
METAL FINISH
(Example: ABB)

120v
VOLTAGE
 (120V)

C-
CHAIN=C+Lgth
(Example: C-96")
STEMS=S+Lgth
(Example: S-96")
NR=Not Req

OPTIONS
(Example: DNLT)

MODIFICATIONS
(Example: Custom Brass*)
Use "Notes" Box At Top To Explain Modifications



CH-157
Fixture Number Job Type

Job Name

Notes~Modifications

Fixture Number	Dimensions	Lamping (20w Med Bs Max)	Weight	Straps	Options
<input type="checkbox"/> CH-15709	30w x 36h	8 Arms/1 tier 8	18 lbs	3' Std	L23
<input type="checkbox"/> CH-15710	45w x 36h	12 Arms/1 tier 12	28 lbs	6' Std	L23
<input type="checkbox"/> CH-15711	60w x 36h	16 Arms/1 tier 16	43 lbs	6' Std	L23
<input type="checkbox"/> CH-15712	30w x 54h	12 Arms/2 tiers 8/4	60 lbs	9' Std	L38
<input type="checkbox"/> CH-15713	45w x 54h	15 Arms/2 tiers 10/5	66 lbs	9' Std	L38
<input type="checkbox"/> CH-15720	60w x 54h	18 Arms/2 tiers 12/6	75 lbs	9' Std	L38
<input type="checkbox"/> CH-15700	72w x 54h	21 Arms/2 tiers 14/7	104 lbs	9' Std	L38
<input type="checkbox"/> CH-15721	45w x 72h	21 Arms/3 tiers 12/6/3	127 lbs	9' Std	L52
<input type="checkbox"/> CH-15701	60w x 72h	35 Arms/3 tiers 20/10/5	155 lbs	9' Std	L52
<input type="checkbox"/> CH-15702	84w x 72h	42 Arms/3 tiers 24/12/6	205 lbs	9' Std	L52
<input type="checkbox"/> CH-15730	96w x 72h	42 Arms/3 tiers 24/12/6	217 lbs	9' Std	L52
<input type="checkbox"/> CH-15703	96w x 90h	45 Arms/4 tiers 24/12/6/3	270 lbs	12' Std	L83
<input type="checkbox"/> CH-15731	120w x 90h	45 Arms/4 tiers 24/12/6/3	333 lbs	12' Std	L83
<input type="checkbox"/> CH-15704	120w x 90h	60 Arms/4 tiers 30/15/10/5	408 lbs	12' Std	L83
<input type="checkbox"/> CH-15705	144w x 113h	93 Arms/5 tiers 48/24/12/6/3	562 lbs	12' Std	L83

DIFFUSER

NA

ECH: Etched*
*Etched option creates a matte, non-glossy finish on one side of the diffuser. (Example: WOA-ECH)

SOLID BRASS FINISHES	PAINTED METAL FINISHES	ALUMINUM FINISHES	STAINLESS STEEL FINISHES
<input type="checkbox"/> ABB: Antique Brass	<input type="checkbox"/> DGP: Dark Green	<input type="checkbox"/> SAA: Satin Aluminum	<input type="checkbox"/> NA
<input type="checkbox"/> SBB: Satin Brass	<input type="checkbox"/> VGP: Verde Green	<input type="checkbox"/> SNA: Satin Nickel	<input type="checkbox"/>
<input type="checkbox"/> PBB: Polished Brass	<input type="checkbox"/> CGP: Charcoal Gray	<input type="checkbox"/> PAA: Polished Aluminum	<input type="checkbox"/>
<input type="checkbox"/> ANB: Antique Nickel	<input type="checkbox"/> MBP: Medium Bronze	<input type="checkbox"/> BBA: Burnished Bronze	<input type="checkbox"/>
<input type="checkbox"/> SNB: Satin Nickel	<input type="checkbox"/> SBP: Satin Black	<input type="checkbox"/> RNA: Red Naval Bronze	<input type="checkbox"/>
<input type="checkbox"/> PNB: Polished Nickel	<input type="checkbox"/> DBP: Dark Bronze	<input type="checkbox"/> SGA: Satin Gold	<input type="checkbox"/>
<input type="checkbox"/> AZB: Antique Bronze	<input type="checkbox"/> LBP: Light Bronze	<input type="checkbox"/> SBA: Satin Bronze	<input type="checkbox"/>
<input type="checkbox"/> SZB: Satin Bronze	<input type="checkbox"/> MGP: Medium Gold	<input type="checkbox"/> ORA: Oil Rubbed Bronze	<input type="checkbox"/>
<input type="checkbox"/> PZB: Polished Bronze	<input type="checkbox"/> SCP: Sponged Copper	<input type="checkbox"/> SCA: Satin Copper	<input type="checkbox"/>
<input type="checkbox"/> CSB: Custom Brass*	<input type="checkbox"/> CSP: Custom Paint*	<input type="checkbox"/> CSA: Custom Aluminum*	<input type="checkbox"/>

OPTIONS

L23: 23wCled Dnlt (2790 lm)

L38: 38wCled Dnlt (5734 lm)

L52: 52wCled Dnlt (9375 lm)

L83: 83wCled Dnlt (12597 lm)