



Gilverny

BL-16101~BL-16121

Our Gilverny fixtures are smooth lined path lights. They are made to illuminate walking areas with good, high footcandle visibility. Gilverny can be solid brass or aluminum construction and comes in a variety of finishes. These lights are composed of heavy duty metal spinnings that act as durable reflectors to push high value lumens down to the walkways below. A thick curved, structural non-ferrous arch provides attractive support for the reflector/spinning to keep it parallel with the ground. And heavy wall 28 schedule 40 pipe provides the support. Clean and attractive, long lasting fixtures!

~Gilverny Series~

Chandelier:

Pendant:

Ceiling Mt.:

Wall Mt.:

Bollard: **BL-16100~BL-16113**

Mounting: Lightsmith exterior bollards mount to standard 3/4IP Spike Boxes for easy installation above ground.

Listing and Warranty: Lightsmith fixtures are Underwriters Laboratories listed and carry a standard three year warranty against defects in materials and labor beginning at date of shipment.

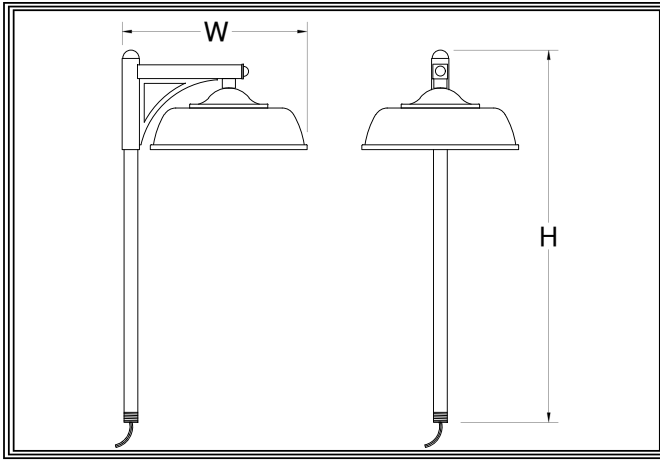


Fixture Specifications

BL-161 ~ CLA ~ ~ ~ NR ~ ~

(120V)
 (277V)
 (347V)

FIXTURE NUMBER (Example: BL-16101)
 DIFFUSER (Example: CLA)
 METAL FINISH (Example: ABB)
 VOLTAGE
 NR=Not required
 OPTIONS (Example: RGB)
 MODIFICATIONS (Example: Custom Paint*)
 Use "Notes" Box At Top To Explain Modifications



BL-161__

Fixture Number Job Type

Job Name

Notes~Modifications

	Fixture Number	Dimensions	Lamping	Weight	Stem/Chain	Options
LED	<input type="checkbox"/> BL-16101	14w x 28h	1-23w LED (2790 lumens)	8 lbs	NA	ASM,WLM
	<input type="checkbox"/> BL-16121	14w x 28h	1-100w A19 (1740 lumens)	7 lbs		WLM

~One Circuit Standard Wiring~

CLA: Clear Acrylic (Std for bottom cover)
 ECH: Etched*
**Etched option creates a matte, non-glossy finish on one side of the diffuser. (Example: WOA-ECH)*

	SOLID BRASS FINISHES	PAINTED METAL FINISHES	ALUMINUM FINISHES	STAINLESS STEEL FINISHES
METAL FINISH	<input type="checkbox"/> ABB: Antique Brass	<input type="checkbox"/> DGP: Dark Green	<input type="checkbox"/> SAA: Satin Aluminum	<input type="checkbox"/> SSS: Satin
	<input type="checkbox"/> SBB: Satin Brass	<input type="checkbox"/> VGP: Verde Green	<input type="checkbox"/> SNA: Satin Nickel	<input type="checkbox"/> DSS: Distressed
	<input type="checkbox"/> PBB: Polished Brass	<input type="checkbox"/> CGP: Charcoal Gray	<input type="checkbox"/> PAA: Polished Aluminum	<input type="checkbox"/> PSS: Polished
	<input type="checkbox"/> ANB: Antique Nickel	<input type="checkbox"/> MBP: Medium Bronze	<input type="checkbox"/> BBA: Burnished Bronze	<input type="checkbox"/> HSS: Hammered
	<input type="checkbox"/> SNB: Satin Nickel	<input type="checkbox"/> SBP: Satin Black	<input type="checkbox"/> RNA: Red Naval Bronze	<input type="checkbox"/>
	<input type="checkbox"/> PNB: Polished Nickel	<input type="checkbox"/> DBP: Dark Bronze	<input type="checkbox"/> SGA: Satin Gold	<input type="checkbox"/>
	<input type="checkbox"/> AZB: Antique Bronze	<input type="checkbox"/> LBP: Light Bronze	<input type="checkbox"/> SBA: Satin Bronze	<input type="checkbox"/>
	<input type="checkbox"/> SZB: Satin Bronze	<input type="checkbox"/> MGP: Medium Gold	<input type="checkbox"/> ORA: Oil Rubbed Bronze	<input type="checkbox"/>
	<input type="checkbox"/> PZB: Polished Bronze	<input type="checkbox"/> SCP: Sponged Copper	<input type="checkbox"/> SCA: Satin Copper	<input type="checkbox"/>
	<input type="checkbox"/> CSB: Custom Brass*	<input type="checkbox"/> CSP: Custom Paint*	<input type="checkbox"/> CSA: Custom Aluminum*	<input type="checkbox"/> CSS: Custom SS*

ASM: 20° Assymmetric Reflector
 WLM: Wet Location Mounting