



Catania

PD-16209~PD-16218

Our Catania fixtures are modern classics. They are composed of acrylic bowls supported by metal trim rings with straight lined acrylic cylinders mounted to the ring's upper edge. We also cut a deco ornament to mount between the cylinders. Overall the look these various pieces produce is one of fullness. The feel of Catania is completeness. It is a stand-alone design that does not need further garnish. We offer these fixtures in many styles...chandelier, pendant, ceiling, and sconce. And the choices of colors, diffuser, and lamping are incredible. Modular LED is state-of-the-art.

~Catania Series~

Chandelier: CH-16209~CH-16218

Pendant: PD-16209~PD-16218

Ceiling Mt: CL-16200~CL-16208

Wall Mt: SC-16200~SC-16211

Bollard: BL-16200~BL-16211

Mounting: Lightsmith fixtures mount to standard 4" octagon electrical boxes unless otherwise specified. All hardware and canopies supplied.

Listing and Warranty: Lightsmith fixtures are Underwriters Laboratories listed and carry a standard three year warranty against defects in materials and labor beginning at date of shipment.



Fixture Specifications

PD-162

FIXTURE NUMBER
(Example: PD-16209)

DIFFUSER
(Example: WOA)

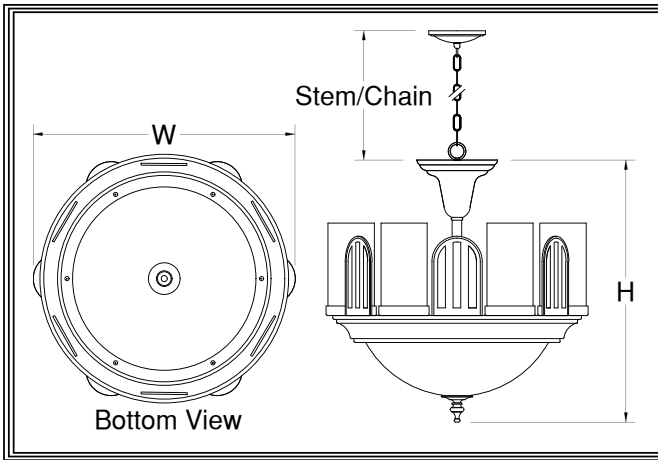
METAL FINISH
(Example: SGA)

VOLTAGE
 (120V)
 (277V)
 (347V)

STEM=S+Lgth
(Example: S-96")
CHAIN=C+Lgth
(Example: C-96")
NR=Not required

OPTIONS
(Example: DIM, IEM)

MODIFICATIONS
(Example: Custom Paint*)
Use "Notes" Box At Top To Explain Modifications



PD-162

Fixture Number

Job Type

Job Name

Notes~Modifications

	Fixture Number	Dimensions	Lamps	Weight	Stem/Chain	Options
LED	<input type="checkbox"/> PD-16209	17w x 17h	6-13w (4-cyl) CLED (8460 lm)	20 lbs	3' Std	IEM,TPL,SPR**
	<input type="checkbox"/> PD-16211	25w x 25h	8-13w (6-cyl) CLED (11280 lm)	31 lbs	6' Std	L23
	<input type="checkbox"/> PD-16213	31w x 31h	12-13w (8-cyl) CLED (16920 lm)	43 lbs	9' Std	L38
	<input type="checkbox"/> PD-16215	37w x 37h	16-13w (10-cyl) CLED (22560 lm)	55 lbs	9' Std	L52
	<input type="checkbox"/> PD-16217	47w x 47h	24-13w (12-cyl) CLED (33840 lm)	64 lbs	12' Std	L52
INCANDESCENT	<input type="checkbox"/> PD-16210	17w x 17h	6-60w (4-cyl) Med Bs (4800 lm)	18 lbs	3' Std	L23
	<input type="checkbox"/> PD-16212	25w x 25h	8-60w (6-cyl) Med Bs (6400 lm)	28 lbs	6' Std	L23
	<input type="checkbox"/> PD-16214	31w x 31h	12-60w (8-cyl) Med Bs (9600 lm)	39 lbs	9' Std	L38
	<input type="checkbox"/> PD-16216	37w x 37h	16-60w (10-cyl) Med Bs (12800 lm)	50 lbs	9' Std	L52
	<input type="checkbox"/> PD-16218	47w x 47h	24-60w (12-cyl) Med Bs (19200 lm)	57 lbs	12' Std	L52
FLUORESCENT	<input type="checkbox"/>					

~Double Circuit Standard Wiring~

**All LED Fixtures

DIFFUSER	<input type="checkbox"/> BGA: Beige Alabaster Acrylic	<input type="checkbox"/> GRA: Green Edge Acrylic	<input type="checkbox"/> ECH: Etched*
	<input type="checkbox"/> NHA: Natural Horn Acrylic	<input type="checkbox"/> EGA: Earth Green Acrylic	*Etched option creates a matte, non-glossy finish on one side of the diffuser. (Example: WOA-ECH)
	<input type="checkbox"/> WHA: White Alabaster Acrylic	<input type="checkbox"/> DGA: Deep Gold Acrylic	
	<input type="checkbox"/> HNA: Honey Alabaster Acrylic	<input type="checkbox"/> SBA: Sea Blue Acrylic	
	<input type="checkbox"/> WOA: White Opal Acrylic	<input type="checkbox"/> PHA: Purple Haze Acrylic	

	SOLID BRASS FINISHES	PAINTED METAL FINISHES	ALUMINUM FINISHES	STAINLESS STEEL FINISHES
METAL FINISH	<input type="checkbox"/> ABB: Antique Brass	<input type="checkbox"/> DGP: Dark Green	<input type="checkbox"/> SAA: Satin Aluminum	<input type="checkbox"/> SSS: Satin
	<input type="checkbox"/> SBB: Satin Brass	<input type="checkbox"/> VGP: Verde Green	<input type="checkbox"/> SNA: Satin Nickel	<input type="checkbox"/> DSS: Distressed
	<input type="checkbox"/> PBB: Polished Brass	<input type="checkbox"/> CGP: Charcoal Gray	<input type="checkbox"/> PAA: Polished Aluminum	<input type="checkbox"/> PSS: Polished
	<input type="checkbox"/> ANB: Antique Nickel	<input type="checkbox"/> MBP: Medium Bronze	<input type="checkbox"/> BBA: Burnished Bronze	<input type="checkbox"/> HSS: Hammered
	<input type="checkbox"/> SNB: Satin Nickel	<input type="checkbox"/> SBP: Satin Black	<input type="checkbox"/> RNA: Red Naval Bronze	<input type="checkbox"/>
	<input type="checkbox"/> PNB: Polished Nickel	<input type="checkbox"/> DBP: Dark Bronze	<input type="checkbox"/> SGA: Satin Gold	<input type="checkbox"/>
	<input type="checkbox"/> AZB: Antique Bronze	<input type="checkbox"/> LBP: Light Bronze	<input type="checkbox"/> SBA: Satin Bronze	<input type="checkbox"/>
	<input type="checkbox"/> SZB: Satin Bronze	<input type="checkbox"/> MGP: Medium Gold	<input type="checkbox"/> ORA: Oil Rubbed Bronze	<input type="checkbox"/>
	<input type="checkbox"/> PZB: Polished Bronze	<input type="checkbox"/> SCP: Sponged Copper	<input type="checkbox"/> SCA: Satin Copper	<input type="checkbox"/>
	<input type="checkbox"/> CSB: Custom Brass*	<input type="checkbox"/> CSP: Custom Paint*	<input type="checkbox"/> CSA: Custom Aluminum*	<input type="checkbox"/>
	<input type="checkbox"/>			<input type="checkbox"/> CSS: Custom SS*
	<input type="checkbox"/>			<input type="checkbox"/>
	<input type="checkbox"/>			<input type="checkbox"/>

OPTIONS	<input type="checkbox"/> L23: 23w R40 LED Dnlt (2790 lm)	<input type="checkbox"/> IEM: Intgral Emer. Driver	<input type="checkbox"/> SPR: Surge Protector
	<input type="checkbox"/> L38: 38w R40 LED Dnlt (5734 lm)	<input type="checkbox"/>	<input type="checkbox"/>
	<input type="checkbox"/> L52: 52w R40 LED Dnlt (9375 lm)	<input type="checkbox"/>	<input type="checkbox"/>
	<input type="checkbox"/> DIM: Dimming Driver (std)	<input type="checkbox"/>	<input type="checkbox"/>
	<input type="checkbox"/> TPL: Top Lens	<input type="checkbox"/>	<input type="checkbox"/>