



Crandor

SC-500~SC-511

Our Crandor fixtures are simple bowls and sconces accented by a single rolled metal ring. We show cable supports in the pendant photo, but Crandor pendants can be supported by four angled stems, four straight stems, or four chains. Just mention it in the modifications box and we'll take care of the rest. The metals we use in these fixtures range from aluminum to brass to stainless steel. And we can finish them in polished, satin, and even hammered finishes. We offer 10 different acrylic options. And our LED options will make Crandor a maintenance dream.

~Crandor Series~

- Chandelier: CH-501~CH-521
- Pendant: PD-500~PD-521
- Ceiling Mount: CL-500~CL-508
- Wall Mount: SC-500~SC-511
- Bollard: BL-500~BL-511

Mounting: Lightsmith fixtures mount to standard 4" octagon electrical boxes unless otherwise specified. All hardware and canopies supplied.

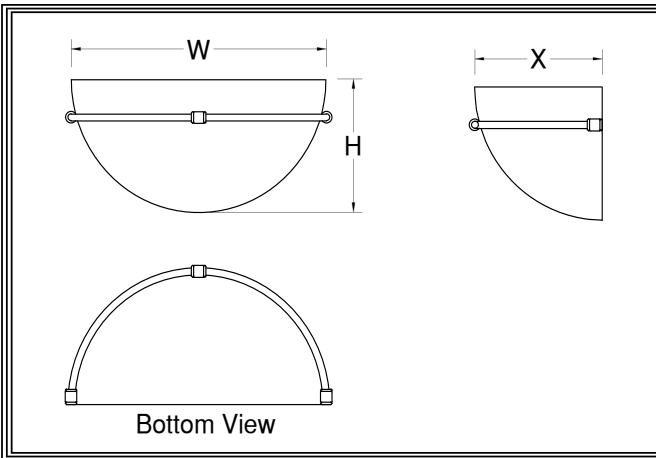
Listing and Warranty: Lightsmith fixtures are Underwriters Laboratories listed and carry a standard three year warranty against defects in materials and labor beginning at date of shipment.



Fixture Specifications

SC-5 _____ ~ _____ ~ _____ ~ _____ ~ NR ~ _____ ~ _____

FIXTURE NUMBER (Example: SC-500) DIFFUSER (Example: BGA-ECH) METAL FINISH (Example: ABB) VOLTAGE (120V, 277V, 347V) OPTIONS (Example: DIM, IEM) MODIFICATIONS (Example: Custom Paint*)



SC-5 _____ _____

Fixture Number Job Type

Job Name

Notes~Modifications

	Fixture Number	Dimensions	Lamping	Weight	Options
LED	<input type="checkbox"/> SC-509	16w x 8h x 4x*	2-13wLLED (2820 lumens)	6 lbs	L211,TPL
	<input type="checkbox"/> SC-510	24w x 10h x 13x	3-13wLLED (4230 lumens)	8 lbs	L213,IEM,TPL
	<input type="checkbox"/> SC-511	36w x 12h x 19x	4-13wLLED (5640 lumens)	10 lbs	L223,IEM,TPL DALI,REM,FUS**
INCANDESCENT	<input type="checkbox"/> SC-500	16w x 8h x 4x*	2-60wA (1600 lumens)	3 lbs	TPL
	<input type="checkbox"/> SC-501	24w x 10h x 13x	3-60wA (2400 lumens)	5 lbs	TPL
	<input type="checkbox"/> SC-502	36w x 12h x 19x	4-60wA (3200 lumens)	7 lbs	TPL
FLUORESCENT	<input type="checkbox"/>				

*ADA Fixture ~Single Circuit Standard Wiring~ **All LED Fixtures

DIFFUSER	<input type="checkbox"/> BGA: Beige Alabaster Acrylic	<input type="checkbox"/> GRA: Green Edge Acrylic	<input type="checkbox"/> ECH: Etched*
	<input type="checkbox"/> NHA: Natural Horn Acrylic	<input type="checkbox"/> EGA: Earth Green Acrylic	*Etched option creates a matte, non-glossy finish on one side of the diffuser. (Example: WOA-ECH)
	<input type="checkbox"/> WHA: White Alabaster Acrylic	<input type="checkbox"/> DGA: Deep Gold Acrylic	
	<input type="checkbox"/> HNA: Honey Alabaster Acrylic	<input type="checkbox"/> SBA: Sea Blue Acrylic	
	<input type="checkbox"/> WOA: White Opal Acrylic	<input type="checkbox"/> PHA: Purple Haze Acrylic	

	SOLID BRASS FINISHES	PAINTED METAL FINISHES	ALUMINUM FINISHES	STAINLESS STEEL FINISHES
METAL FINISH	<input type="checkbox"/> ABB: Antique Brass	<input type="checkbox"/> DGP: Dark Green	<input type="checkbox"/> SAA: Satin Aluminum	<input type="checkbox"/> SSS: Satin
	<input type="checkbox"/> SBB: Satin Brass	<input type="checkbox"/> VGP: Verde Green	<input type="checkbox"/> SNA: Satin Nickel	<input type="checkbox"/> DSS: Distressed
	<input type="checkbox"/> PBB: Polished Brass	<input type="checkbox"/> CGP: Charcoal Gray	<input type="checkbox"/> PAA: Polished Aluminum	<input type="checkbox"/> PSS: Polished
	<input type="checkbox"/> ANB: Antique Nickel	<input type="checkbox"/> MBP: Medium Bronze	<input type="checkbox"/> BBA: Burnished Bronze	<input type="checkbox"/> HSS: Hammered
	<input type="checkbox"/> SNB: Satin Nickel	<input type="checkbox"/> SBP: Satin Black	<input type="checkbox"/> RNA: Red Naval Bronze	<input type="checkbox"/>
	<input type="checkbox"/> PNB: Polished Nickel	<input type="checkbox"/> DBP: Dark Bronze	<input type="checkbox"/> SGA: Satin Gold	<input type="checkbox"/>
	<input type="checkbox"/> AZB: Antique Bronze	<input type="checkbox"/> LBP: Light Bronze	<input type="checkbox"/> SBA: Satin Bronze	<input type="checkbox"/>
	<input type="checkbox"/> SZB: Satin Bronze	<input type="checkbox"/> MGP: Medium Gold	<input type="checkbox"/> ORA: Oil Rubbed Bronze	<input type="checkbox"/>
	<input type="checkbox"/> PZB: Polished Bronze	<input type="checkbox"/> SCP: Sponged Copper	<input type="checkbox"/> SCA: Satin Copper	<input type="checkbox"/>
	<input type="checkbox"/> CSB: Custom Brass*	<input type="checkbox"/> CSP: Custom Paint*	<input type="checkbox"/> CSA: Custom Aluminum*	<input type="checkbox"/> CSS: Custom SS*

OPTIONS	<input type="checkbox"/> L211: 2-11wCLED Uplight	<input type="checkbox"/> DIM: Dimming Driver (std)	<input type="checkbox"/> FUS: Fusing
	<input type="checkbox"/> L213: 2-13wCLED Uplight	<input type="checkbox"/> IEM: Integral Emer. Ballast	<input type="checkbox"/> DALI: Dali dimming LED
	<input type="checkbox"/> L223: 2-23wCLED Uplight	<input type="checkbox"/> TPL: Top Lens	<input type="checkbox"/> REM: Remote Emer. Ballast
	<input type="checkbox"/>	<input type="checkbox"/>	<input type="checkbox"/>
	<input type="checkbox"/>	<input type="checkbox"/>	<input type="checkbox"/>