



# Sofia

## PD-8800~PD-8821

Our Sofia fixtures are modern lights with classic good looks. We make them for places in need of contemporary sculpture that is ceiling or wall mounted. They are true puzzles to build and assemble; and no wonder that complexity turns quite a few heads as onlookers try to figure out how they are put together. So Spartan good looks and open contemporary design pull together to produce a mechanical product capable of lighting beautiful areas while at the same time making a museum quality statement of design intent. Great lamping and finish options available.

### ~Sophia Series~

Chandelier: CH-8801~CH-8815

Pendant: PD-8800~PD-8821

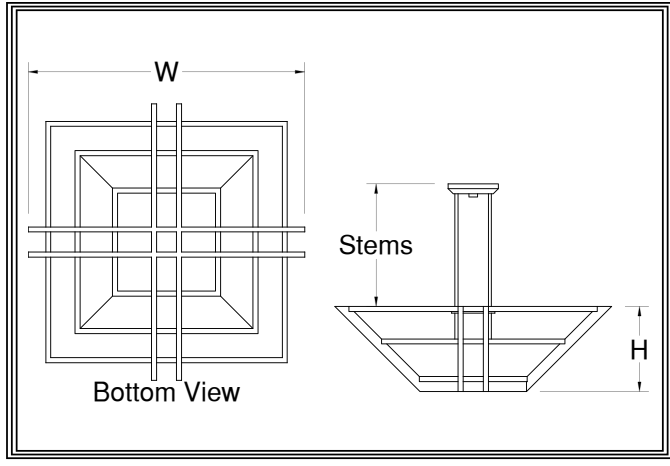
Ceiling Mt: CL-8800~CL-8808

Wall Mt: SC-8800~SC-8811

Bollard: BL-8800~BL-8811

**Mounting:** Lightsmith fixtures mount to standard 4" octagon electrical boxes unless otherwise specified. All hardware and canopies supplied.

**Listing and Warranty:** Lightsmith fixtures are Underwriters Laboratories listed and carry a standard three year warranty against defects in materials and labor beginning at date of shipment.



PD-88\_\_

Fixture Number      Job Type

Job Name

Notes~Modifications

	Fixture Number	Dimensions	Lamping	Weight	Stems	Options
LED	<input type="checkbox"/> PD-8809	25w x 8h	2-13wL(2820 lm)	12 lbs	3' Std	IEM,REM,SPR**
	<input type="checkbox"/> PD-8810	31w x 10h	4-13wL(5640 lm)	20 lbs	6' Std	L413,L52
	<input type="checkbox"/> PD-8811	39w x 12h	6-13wL(8460 lm)	24 lbs	6' Std	L413,L52
	<input type="checkbox"/> PD-8812	47w x 15h	12-13wL(16920 lm)	27 lbs	6' Std	L423,L83
	<input type="checkbox"/> PD-8813	55w x 17h	16-13wL(22560 lm)	33 lbs	6' Std	L423,L83
INCANDESCENT	<input type="checkbox"/> PD-8820	25w x 8h	1-150wA(1200 lm)	10 lbs	3' Std	L38
	<input type="checkbox"/> PD-8800	31w x 10h	3-75wA(3600 lm)	16 lbs	6' Std	L52
	<input type="checkbox"/> PD-8821	39w x 12h	6-75wA(7200 lm)	20 lbs	6' Std	L52
	<input type="checkbox"/> PD-8801	47w x 15h	9-75wA(10800 lm)	24 lbs	6' Std	L83
	<input type="checkbox"/> PD-8802	55w x 17h	12-75wA(14400 lm)	29 lbs	6' Std	L83
FLUORESCENT	<input type="checkbox"/>					

~Single Circuit Standard Wiring~

\*\*All LED Fixtures

DIFFUSER	<input type="checkbox"/> BGA: Beige Alabaster Acrylic	<input type="checkbox"/> GRA: Green Edge Acrylic	<input type="checkbox"/> ECH: Etched*
	<input type="checkbox"/> NHA: Natural Horn Acrylic	<input type="checkbox"/> EGA: Earth Green Acrylic	*Etched option creates a matte, non-glossy finish on one side of the diffuser. (Example:WOA-ECH)
	<input type="checkbox"/> WHA: White Alabaster Acrylic	<input type="checkbox"/> DGA: Deep Gold Acrylic	
	<input type="checkbox"/> HNA: Honey Alabaster Acrylic	<input type="checkbox"/> SBA: Sea Blue Acrylic	
	<input type="checkbox"/> WOA: White Opal Acrylic	<input type="checkbox"/> PHA: Purple Haze Acrylic	

	SOLID BRASS FINISHES	PAINTED METAL FINISHES	ALUMINUM FINISHES	STAINLESS STEEL FINISHES
METAL FINISH	<input type="checkbox"/> ABB: Antique Brass	<input type="checkbox"/> DGP: Dark Green	<input type="checkbox"/> SAA: Satin Aluminum	<input type="checkbox"/> NA
	<input type="checkbox"/> SBB: Satin Brass	<input type="checkbox"/> VGP: Verde Green	<input type="checkbox"/> SNA: Satin Nickel	<input type="checkbox"/>
	<input type="checkbox"/> PBB: Polished Brass	<input type="checkbox"/> CGP: Charcoal Gray	<input type="checkbox"/> PAA: Polished Aluminum	<input type="checkbox"/>
	<input type="checkbox"/> ANB: Antique Nickel	<input type="checkbox"/> MBP: Medium Bronze	<input type="checkbox"/> BBA: Burnished Bronze	<input type="checkbox"/>
	<input type="checkbox"/> SNB: Satin Nickel	<input type="checkbox"/> SBP: Satin Black	<input type="checkbox"/> RNA: Red Naval Bronze	<input type="checkbox"/>
	<input type="checkbox"/> PNB: Polished Nickel	<input type="checkbox"/> DBP: Dark Bronze	<input type="checkbox"/> SGA: Satin Gold	<input type="checkbox"/>
	<input type="checkbox"/> AZB: Antique Bronze	<input type="checkbox"/> LBP: Light Bronze	<input type="checkbox"/> SBA: Satin Bronze	<input type="checkbox"/>
	<input type="checkbox"/> SZB: Satin Bronze	<input type="checkbox"/> MGP: Medium Gold	<input type="checkbox"/> ORA: Oil Rubbed Bronze	<input type="checkbox"/>
	<input type="checkbox"/> PZB: Polished Bronze	<input type="checkbox"/> SCP: Sponged Copper	<input type="checkbox"/> SCA: Satin Copper	<input type="checkbox"/>
	<input type="checkbox"/> CSB: Custom Brass*	<input type="checkbox"/> CSP: Custom Paint*	<input type="checkbox"/> CSA: Custom Aluminum*	<input type="checkbox"/>

OPTIONS	<input type="checkbox"/> L38: 38wLED R40 Downlight	<input type="checkbox"/> L413: 4-13wCLEU Uplight	<input type="checkbox"/> SPR: Surge protector
	<input type="checkbox"/> L52: 52wLED R40 Downlight	<input type="checkbox"/> L423: 4-23wCLEU Uplight	<input type="checkbox"/> IEM: Integral Emer.Ballast
	<input type="checkbox"/> L83: 83wLED R40 Downlight		<input type="checkbox"/>
	<input type="checkbox"/> DIM: Dimming Driver (std)		<input type="checkbox"/>
	<input type="checkbox"/> REM: Remote Emer.Driver		<input type="checkbox"/>

## Fixture Specifications

PD-88\_\_ ~ DIFFUSER (Example: BGA-ECH) ~ METAL FINISH (Example: ABB) ~ VOLTAGE (120V, 277V, 347V) ~ STEM=S+Lgth (Example:S-96"), CHAIN=C+Lgth (Example:C-96"), NR=Not required ~ OPTIONS (Example:DIM,REM) ~ MODIFICATIONS (Example:Custom Paint\*) Use "Notes" Box At Top To Explain Modifications