

**Nassaw**

**2801-PC~2816-PC**

Our Nassaw fixtures are modern layered classics featuring sleek overall design coupled with a series of deco rings and straight staves. These lights all have the universal quality of extra length. We build Nassaw for taller places and even the smallest of our five sizes is still quite long. The Nassaw rings are quite stout being made from solid brass or aluminum. We do not use hollow tubing, only heavy bar stock with keen edges for proper effect. We offer ten different diffuser materials and a wide assortment of solid brass and aluminum finishes. Try our LEDs...totally powerful!

~Nassaw Series~

Chandelier:2841-CHC~2872-CHC

Pendant:2801-PC~2816-PC

Ceiling Mt:2804-CC~2817-CC

Wall Mt:2801-WC~2813-WC

S-Pendant:2803-SC~2815-SC

**Mounting:** Lightsmith fixtures mount to standard 4" octagon electrical boxes unless otherwise specified. All hardware and canopies supplied.

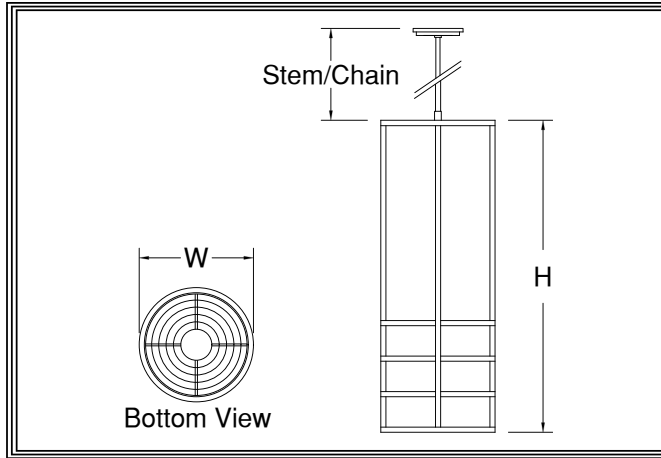
**Listing and Warranty:** Lightsmith fixtures are Underwriters Laboratories listed and carry a standard three year warranty against defects in materials and labor beginning at date of shipment.



**Fixture Specifications**

28\_\_-PC ~ [ ] ~ [ ] ~ [ ] ~ [ ] ~ [ ] ~ [ ]

FIXTURE NUMBER (Example: 2801-PC)   
  DIFFUSER (Example: BGA-ECH)   
  METAL FINISH (Example: ABB)   
  VOLTAGE (120V, 277V, 347V)   
  STEM=S+Lgth (Example: S-96") CHAIN=C+Lgth (Example: C-96") NR=Not required   
  OPTIONS (Example: DIM, REM)   
  MODIFICATIONS (Example: Custom Paint\*) Use "Notes" Box At Top To Explain Modifications



28\_\_-PC [ ]

Fixture Number Job Type

[ ]

Job Name

[ ]

Notes~Modifications

	Fixture Number	Dimensions	Lamping	Weight	Stem/Chain	Options
LED	<input type="checkbox"/> 2801-PC	9w x 25h	2-13wL(2820 lm)	18 lbs	3' Std	IEM,REM,SPR**
	<input type="checkbox"/> 2802-PC	11w x 31h	4-13wL(5640 lm)/1-38wC(5734 lm)	22 lbs	6' Std	
	<input type="checkbox"/> 2803-PC	14w x 37h	6-13wL(8460 lm)/1-38wC(5734 lm)	31 lbs	9' Std	
	<input type="checkbox"/> 2804-PC	16w x 43h	12-13wL(16920 lm)/1-52wC(9375 lm)	46 lbs	9' Std	
	<input type="checkbox"/> 2805-PC	18w x 49h	12-13wL(16920 lm)/1-83wC(12597 lm)	59 lbs	12' Std	
INCANDESCENT	<input type="checkbox"/> 2808-PC	9w x 25h	1-150wA(1200 lm)	16 lbs	3' Std	L38,L610
	<input type="checkbox"/> 2810-PC	11w x 31h	3-75wA(3600 lm)/1-250wP38(3600 lm)	20 lbs	6' Std	L38,L310
	<input type="checkbox"/> 2812-PC	14w x 37h	6-75wA(7200 lm)/1-250wP38(3600 lm)	29 lbs	9' Std	L38,L610
	<input type="checkbox"/> 2814-PC	16w x 43h	6-75wA(7200 lm)/1-500wR40(5000 lm)	44 lbs	9' Std	L52,L610
	<input type="checkbox"/> 2816-PC	18w x 49h	9-75wA(10800 lm)/1-500wR40(5000 lm)	57 lbs	12' Std	L83,L1210
FLUORESCENT	<input type="checkbox"/>					

~Two Circuits Standard Wiring~

\*\*All LED Fixtures

DIFFUSER	<input type="checkbox"/> BGA: Beige Alabaster Acrylic	<input type="checkbox"/> GRA: Green Edge Acrylic	<input type="checkbox"/> ECH: Etched*
	<input type="checkbox"/> NHA: Natural Horn Acrylic	<input type="checkbox"/> EGA: Earth Green Acrylic	*Etched option creates a matte, non-glossy finish on one side of the diffuser. (Example: WOA-ECH)
	<input type="checkbox"/> WHA: White Alabaster Acrylic	<input type="checkbox"/> DGA: Deep Gold Acrylic	
	<input type="checkbox"/> HNA: Honey Alabaster Acrylic	<input type="checkbox"/> SOG: Streaked Opal Glass	
	<input type="checkbox"/> WOA: White Opal Acrylic	<input type="checkbox"/> WOG: White Opal Glass	

	SOLID BRASS FINISHES	PAINTED METAL FINISHES	ALUMINUM FINISHES	STAINLESS STEEL FINISHES
METAL FINISH	<input type="checkbox"/> ABB: Antique Brass	<input type="checkbox"/> DGP: Dark Green	<input type="checkbox"/> SAA: Satin Aluminum	<input type="checkbox"/> NA
	<input type="checkbox"/> SBB: Satin Brass	<input type="checkbox"/> VGP: Verde Green	<input type="checkbox"/> SNA: Satin Nickel	<input type="checkbox"/>
	<input type="checkbox"/> PBB: Polished Brass	<input type="checkbox"/> CGP: Charcoal Gray	<input type="checkbox"/> PAA: Polished Aluminum	<input type="checkbox"/>
	<input type="checkbox"/> ANB: Antique Nickel	<input type="checkbox"/> MBP: Medium Bronze	<input type="checkbox"/> BBA: Burnished Bronze	<input type="checkbox"/>
	<input type="checkbox"/> SNB: Satin Nickel	<input type="checkbox"/> SBP: Satin Black	<input type="checkbox"/> RNA: Red Naval Bronze	<input type="checkbox"/>
	<input type="checkbox"/> PNB: Polished Nickel	<input type="checkbox"/> DBP: Dark Bronze	<input type="checkbox"/> SGA: Satin Gold	<input type="checkbox"/>
	<input type="checkbox"/> AZB: Antique Bronze	<input type="checkbox"/> LBP: Light Bronze	<input type="checkbox"/> SBA: Satin Bronze	<input type="checkbox"/>
	<input type="checkbox"/> SZB: Satin Bronze	<input type="checkbox"/> MGP: Medium Gold	<input type="checkbox"/> ORA: Oil Rubbed Bronze	<input type="checkbox"/>
	<input type="checkbox"/> PZB: Polished Bronze	<input type="checkbox"/> SCP: Sponged Copper	<input type="checkbox"/> SCA: Satin Copper	<input type="checkbox"/>
	<input type="checkbox"/> CSB: Custom Brass*	<input type="checkbox"/> CSP: Custom Paint*	<input type="checkbox"/> CSA: Custom Aluminum*	<input type="checkbox"/>

OPTIONS	<input type="checkbox"/> L38: 38wLED R40 Downlight	<input type="checkbox"/> L310: 3-10wLED A-lamp	<input type="checkbox"/> SPR: Surge protector
	<input type="checkbox"/> L52: 52wLED R40 Downlight	<input type="checkbox"/> L610: 6-10wLED A-lamp	<input type="checkbox"/> IEM: Integral Emer.Ballast
	<input type="checkbox"/> L83: 83wLED R40 Downlight	<input type="checkbox"/> L1210: 12-10wLED A-lamp	<input type="checkbox"/>
	<input type="checkbox"/> DIM: Dimming Driver (std)	<input type="checkbox"/>	<input type="checkbox"/>
	<input type="checkbox"/> REM: Remote Emer.Driver	<input type="checkbox"/>	<input type="checkbox"/>

